

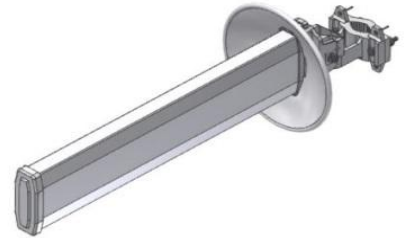
Multi-Band Yagi Antenna(반사판부착형)

1710~2400 MHz / 13dBi


PIW-WEYG-13G

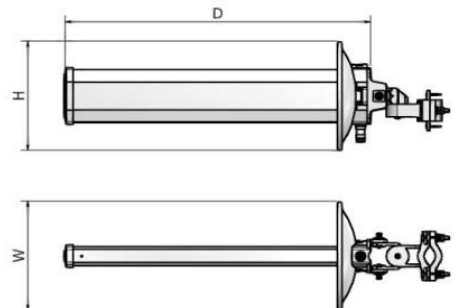
i. Electrical Specification

항 목		Yagi Antenna
Frequency Range (MHz)		1710 ~ 2400
Polarization		Vertical
Band Width		690 MHz
Gain		≥ 13 dBi
Beam width	Horizontal	40 ± 20°
	Vertical	40 ± 20°
F-B ratio (Horizontal & Vertical)		≥ 20dB
VSWR		1 : 1.5
Impedance		50 Ω
IMD (3rd)		≤ -140dBc @ 2x40dBm
IMD (5th)		≤ -160dBc @ 2x40dBm
Maximum input power		100 W

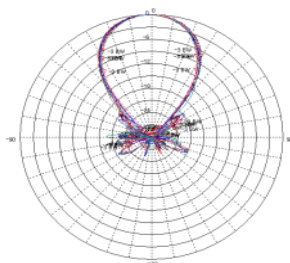


ii. Mechanical Specification

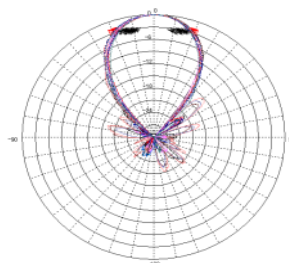
Radom Dimension (HxWxD)	100 x 36 x 534 mm
Weight (Exclude bracket)	≤ 0.9 Kg
Connector Type	N-J (Female)
Withstand Wind Pressure	60 m/sec
Radome Material	ASA
Radome Color	Cool Gray 1C 
Mechanical Down Tilt	Up, Down ± 30°
	Left, Right ± 30°
Temperature	-40 °C ~ 70 °C
Packing Size (H x W x D)	-
Packing Weight	-



iii. Radiation Pattern



Horizontal Pattern



Vertical Pattern